

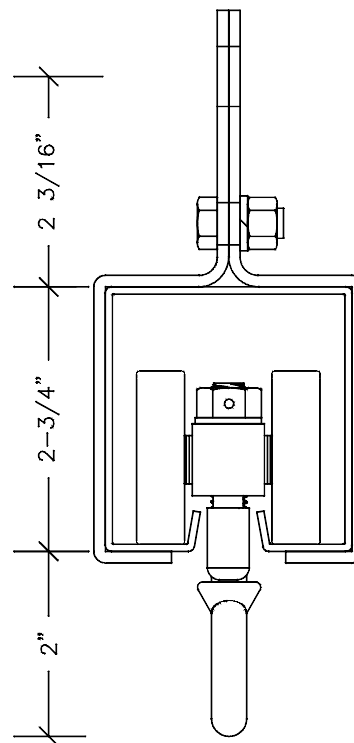
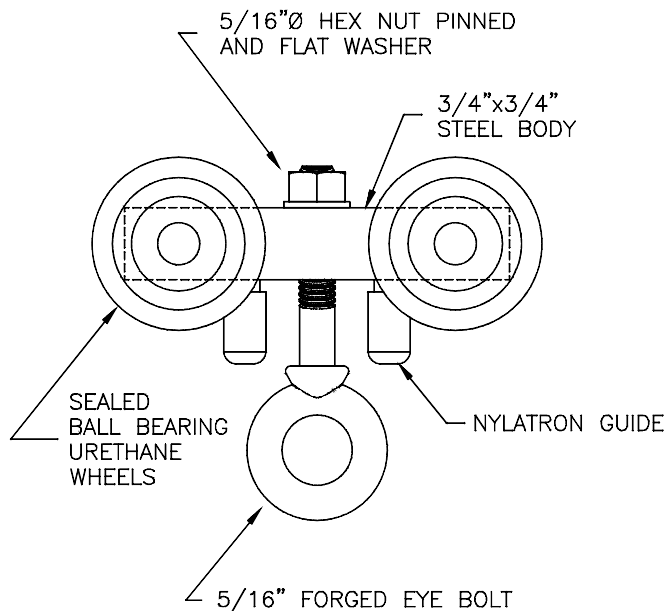
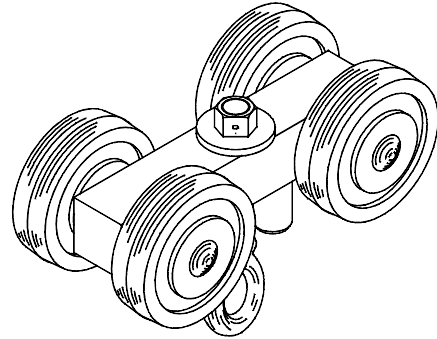
New for 2005!

H & H Specialties is proud to announce the arrival of two new quieter scenery carriers to our product line. These scenery carriers are designed to be used with our 400 Series Heavy Duty Stage Track. Equipped with special urethane-tired sealed ball bearing wheels, they have been load-tested for over one million revolutions, equivalent to over 85 miles of travel with miles of life remaining!

No. 449 Urethane Scenery Carrier with Eye

4 urethane-tired sealed ball bearing wheels riveted to machined steel body for use with No. 410S or 410A track. Carrier provided with two Nylatron bearings to keep the unit centered in the track assembly. 5/16" forged eyebolt swivels in body and provides attachment point for scenery.

Working Load Limit: 200#



manufacturer of stage equipment

2203 Edwards Avenue
P.O. Box 9327
South El Monte CA 91733

www.hhspecialties.com

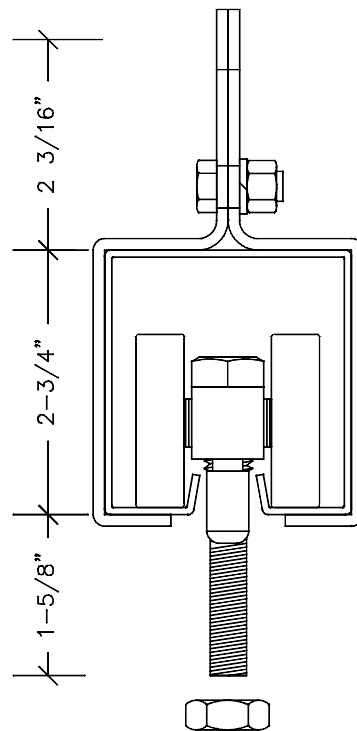
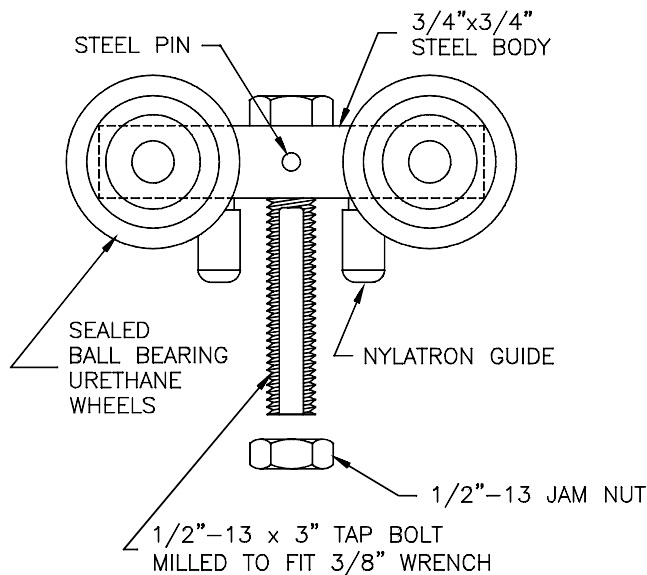
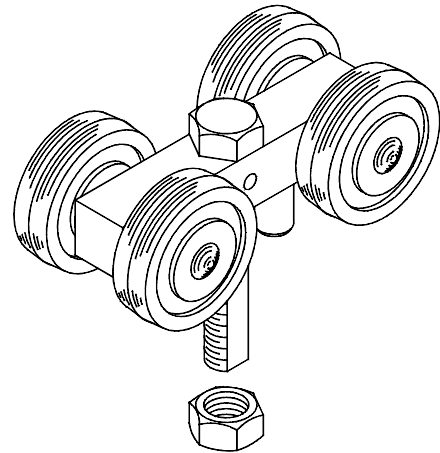
(626) 575-0776
(800) 221-9995
Fax (626) 575-3004



No. 450 Urethane Scenery Carrier

4 urethane-tired sealed ball bearing wheels riveted to machined steel body for use with No. 410S or 410A track. Carrier provided with two Nylatron bearings to keep the unit centered in the track assembly. 1/2" milled pinned tap bolt is provided for scenery attachment.

Working Load Limit: 200#



Installation Note: Track must be supported with No. 406 Clamp Hanger every 4'-0" on center maximum with a hanger no further than 6" from each end. The scenery carriers must be spaced at 3'-6" on center minimum. Installation of this equipment and supervision of its use must be performed by a qualified person. The 410S and 410A Tracks are not rated for direct attachment to ceiling or other structure for this use.

DISCLAIMER: These items designed for moving scenery. They are not designed, intended, or warranted for the use of lifting or transporting people or other living objects. H & H Specialties Inc. makes no representation of the suitability of the structure to which our products attach, or the attachment to that structure. Consult an engineer or other qualified person before you use this product.