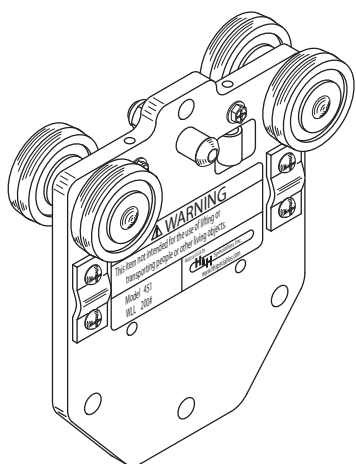




Really Useful, *REALLY!*

useful (ūs'fəl) *adj.* Advantageous; serviceable; beneficial; helpful; having practical utility.
Really Useful: Even better!

The success of the Model 451 Really Useful Carrier has generated the interest in companion products for our 400 Series Heavy-Duty Stage track. Our new Model 451A Really Useful Carrier is now available. The carrier is equipped with special urethane-tired shielded precision ball bearing wheels which have been load tested for over one million revolutions, equivalent to over 85 miles of travel. The usefulness of this product is only limited by your imagination.



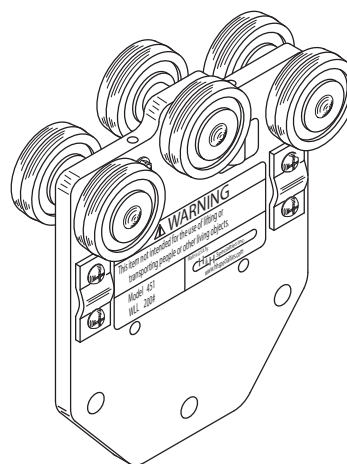
No. 451 Really Useful Carrier

4 urethane-tired shielded precision ball bearing wheels are riveted to machined black aluminum body for use with No. 410S or 410A Track. Carrier is provided with two Nylatron bearings integral to body to keep unit centered in the track assembly. 5/16" safety bolt installed in body to eliminate possibility of single point failure. Carrier body is provided with a complement of mounting holes to enable attachment of scenery and various devices.

Working Load Limit: 200#

Features:

- Provision for attachment using bolts, shackles, turnbuckles, and other devices.
- Cord clamps for attachment of operating line for manual or motorized use.
- Provision for outrigger attachment for track mounted limits.
- Provision for attachment of 4" square outlet box (consult local codes for application).



No. 451A Really Useful Carrier

SOMETIMES 4 WHEELS ARE NOT ENOUGH!

A 451 Carrier with a third set of wheels replacing the safety bolt. To help prevent tipping when a potentially unbalanced load is supported by two or more carriers.

NOTE: Cannot be used with 427 Ceiling Splice.

Working Load Limit: 200#

Potential uses:

- Suspension of scenery.
- Suspension and re-lamping of house lighting fixtures.
- Suspension of theatrical lighting fixtures.



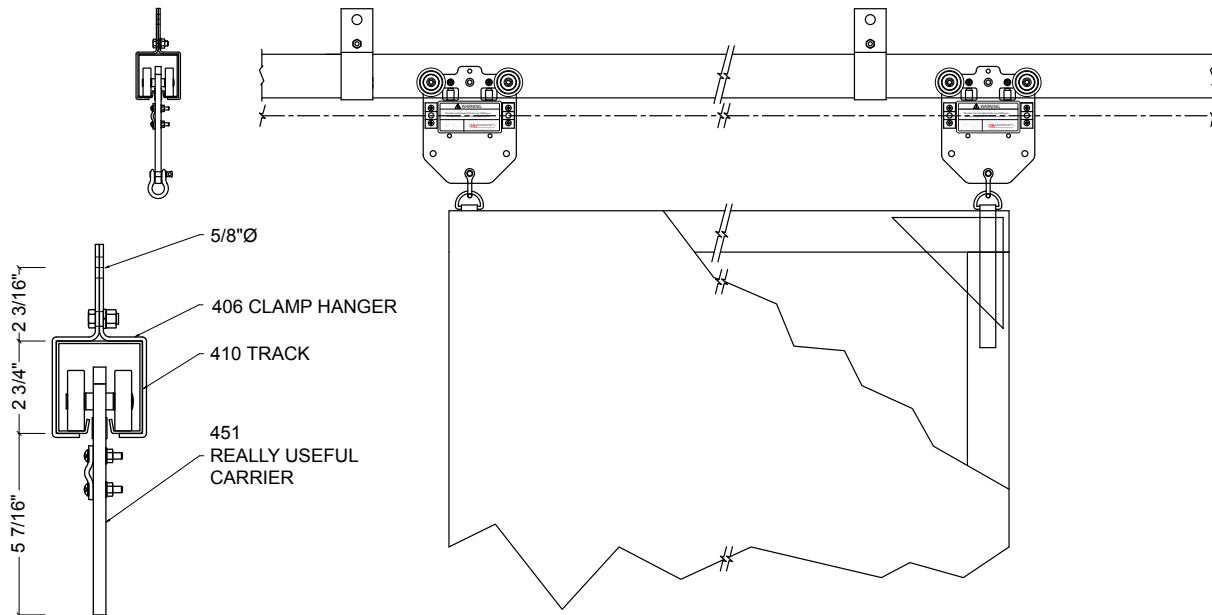
14850 Don Julian Road, Suite B
City of Industry, CA 91746

manufacturer of stage equipment
www.hhspecialties.com

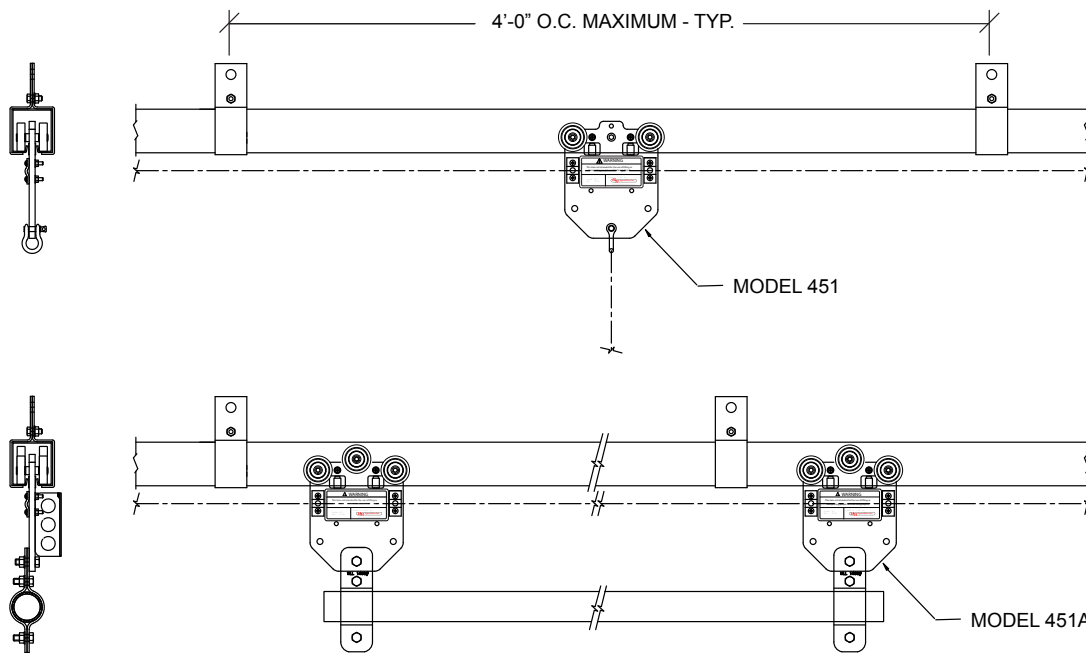
(626) 575-0776
(800) 221-9995
Fax (626) 575-3004



451 and 451A Really Useful Application Details



END VIEW



Installation Note: Track shall be supported with No. 406 Clamp Hanger every 4'-0" on center maximum with a hanger no further than 6" from each end. The carriers must be spaced with no more than one carrier per span. Installation of this equipment and supervision of its use must be performed by a qualified person. The 410S and 410A Tracks are not rated for direct attachment to ceiling or other structure for this application.

DISCLAIMER: These items are designed for moving scenery and other theatrical devices. They are not designed, intended, or warranted for the use of lifting or transporting people or other living objects. H & H Specialties Inc. makes no representation of the suitability of the structure to which our products attach, or the attachment to that structure. Consult an engineer or other qualified person regarding the structure used to support these tracks.