



## Tee Bar Guide System

Rigid guide systems must be used on applications that exceed 30 feet. This style captures the arbor between steel tee bars

### Model 662 Knee Brace

Knee braces are constructed of a two-piece assembly to enable adjustment during installation. Formed 1/4" wall bracket is attached to 2" x 2" x 3/16" steel angle. Length of angle must be specified at time of ordering.

### Model 663 Horizontal Wall Batten

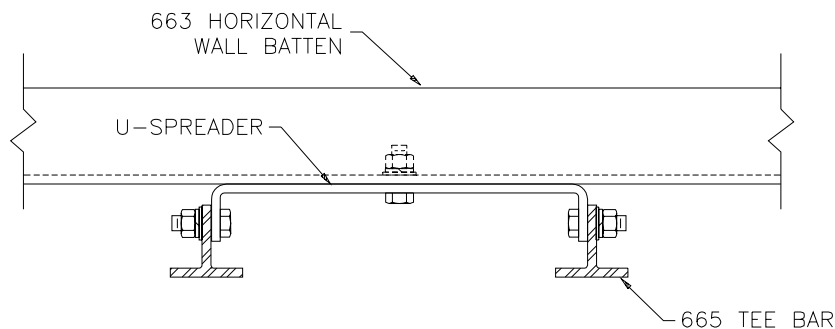
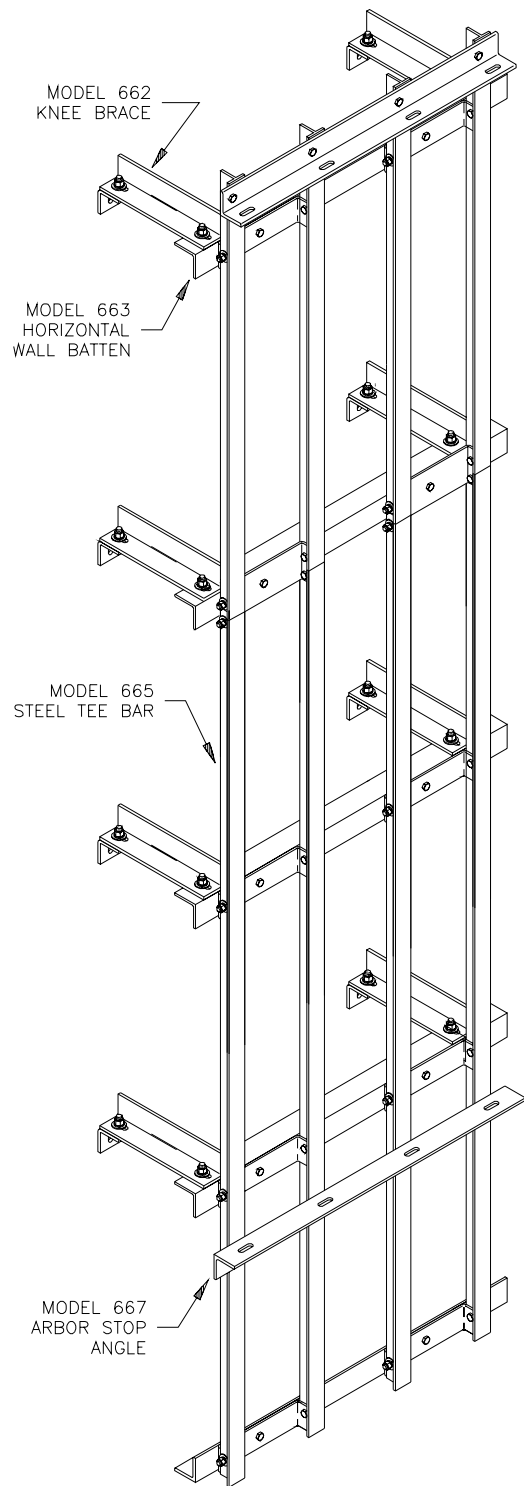
Horizontal wall battens are normally spaced on 5'-0" vertical increments. The 2" x 2" x 3/16" steel angle is punched on the horizontal leg for attachment of knee braces and the vertical leg for attachment of tee bar U-spreader plates. Spacing may be 6", 8", 9", or 12" on center.

### Model 665 Steel Tee Bar

Tee bar guides are 1-1/2" x 1-1/2" x 3/16" steel. Splice joints are accomplished at a horizontal wall batten.

### Model 667 Arbor Stop Angle

The steel arbor stop angle is mounted at the top and near the bottom of the steel tee bar guides to limit the travel of the counterweight arbors. The 2" x 2" x 1/4" steel angle is bolted to the face of the tee bar. The horizontal leg of the angle is punched for attachment of a hardwood stop (provided by others).



# Jay Bar Guide System

Rigid guide systems must be used on applications that exceed 30 feet. This style captures the arbor between aluminum jay bars.

## Model 662 Knee Brace

Knee braces are constructed of a two-piece assembly to enable adjustment during installation. Formed 1/4" wall bracket is attached to 2" x 2" x 3/16" steel angle. Length of angle must be specified at time of ordering.

## Model 664 Horizontal Wall Batten

Horizontal wall battens are normally spaced on 5'-0" vertical increments. The 2" x 2" x 3/16" steel angle is punched on the horizontal leg for attachment of knee braces and the vertical leg for attachment of jay bar. Spacing may be 6", 8", 9", or 12" on center.

## Model 666 Aluminum Jay Bar

Jay bar guides are 1-1/2" x 1-1/2" x 3/16" aluminum provided in continuous lengths up to 25'-0". Splice joints are accomplished at a horizontal wall batten.

## Model 667 Arbor Stop Angle

The steel arbor stop angle is mounted at the top and near the bottom of the aluminum jay bar guides to limit the travel of the counterweight arbors. The 2" x 2" x 1/4" steel angle is bolted to the face of the jay bar. The horizontal leg of the angle is punched for attachment of a hardwood stop (provided by others).

